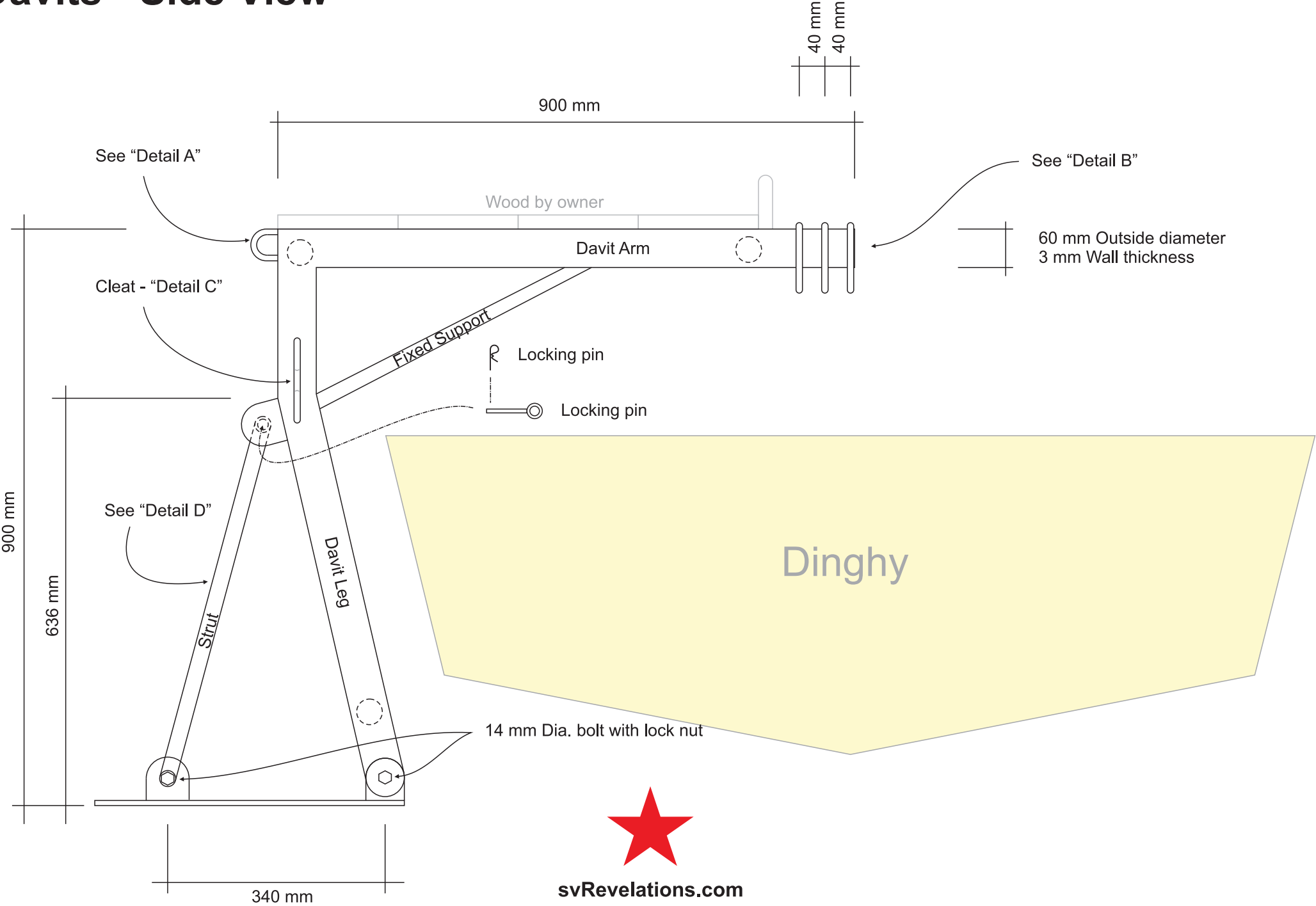
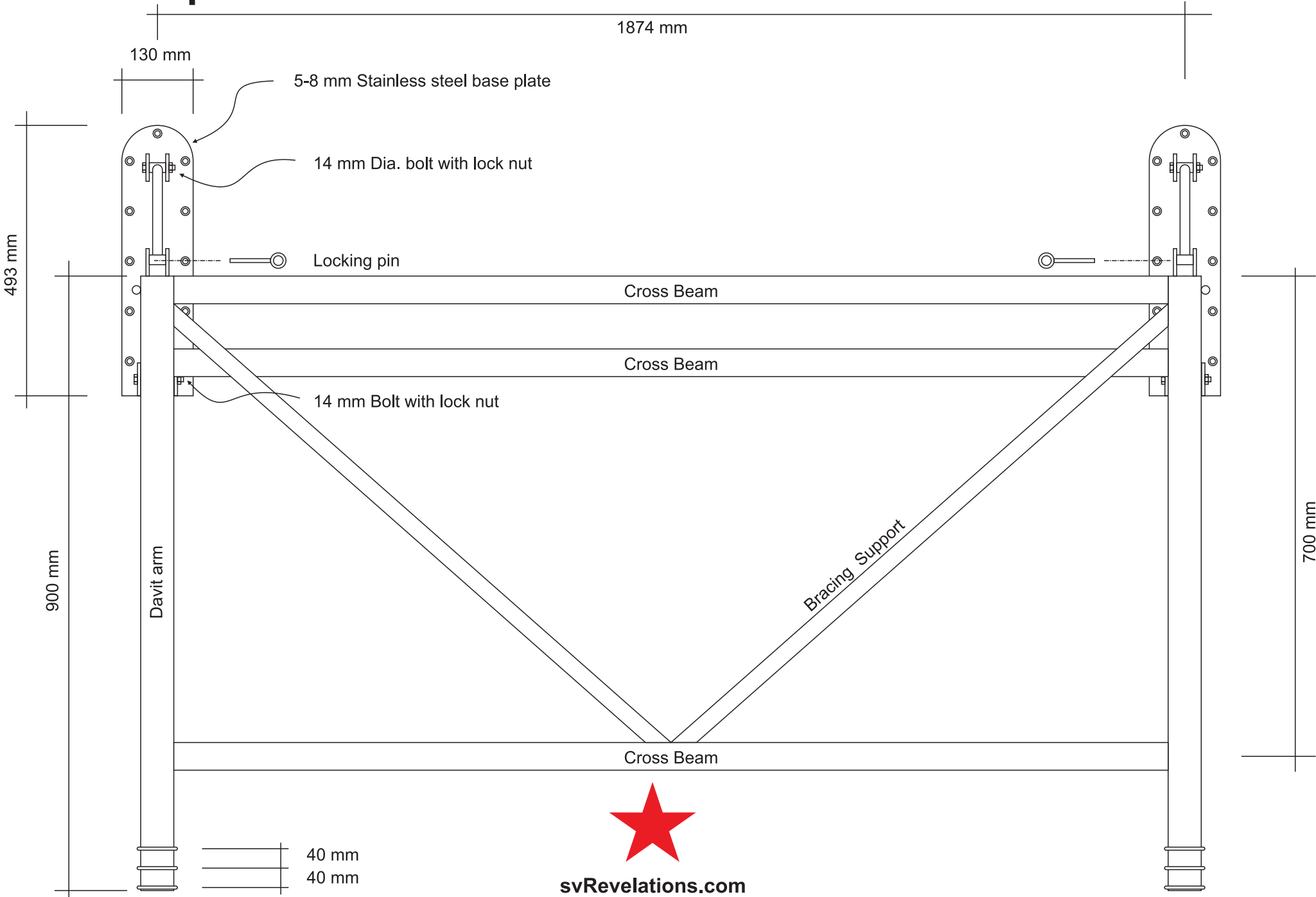


Davits - Side View



Davits - Top View



Davits - Bases

1874 mm

130 mm

493 mm

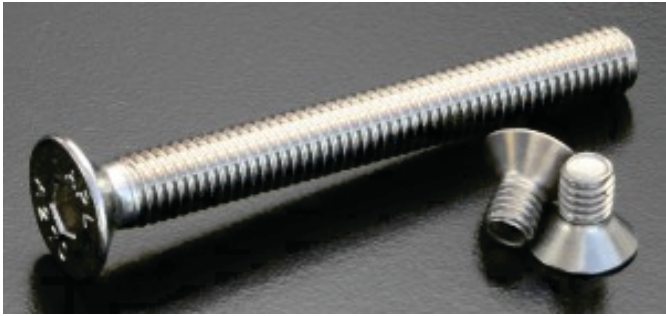
5-8 mm Stainless steel base plate

Drilled for M8 or M10 Allen Key countersunk bolts and lock nuts.

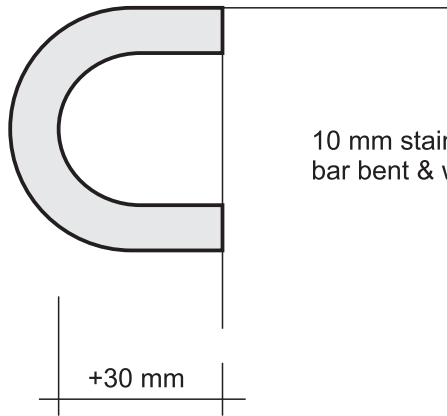
70 mm

443 mm

PLUS
3-4 mm backing plate - drilled



Detail A

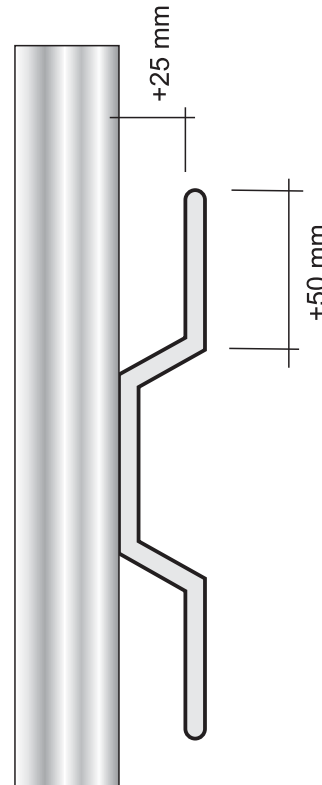


10 mm stainless steel round bar bent & welded to davit leg.

Detail C

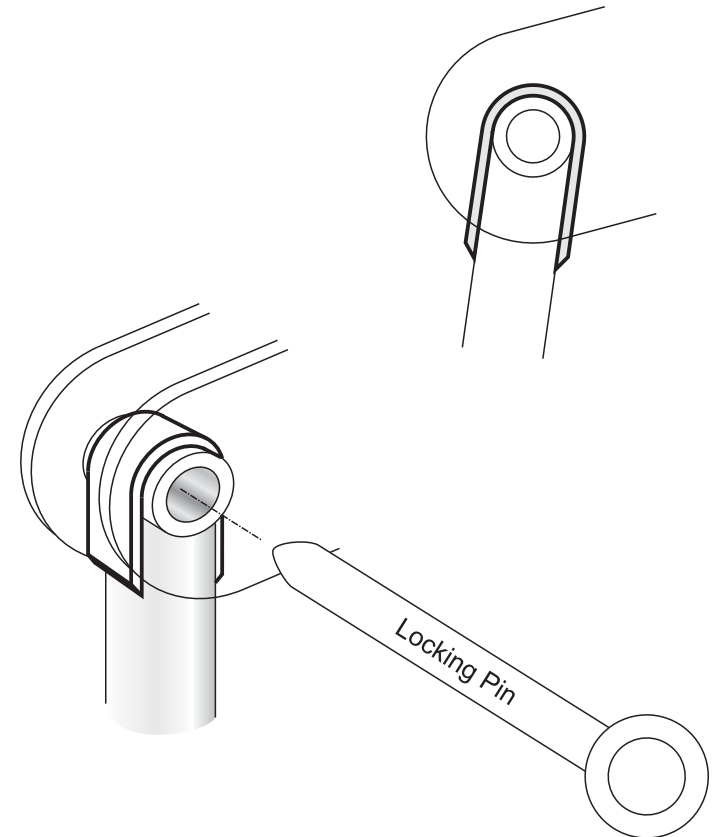
Cleat - 10 mm round bar welded to outside of davit upright.

1 x Cleat per davit leg.



Detail D

At end of struts - welded flat bar to re-inforce and prevent stress cracks and eventual breakage.



Detail B

